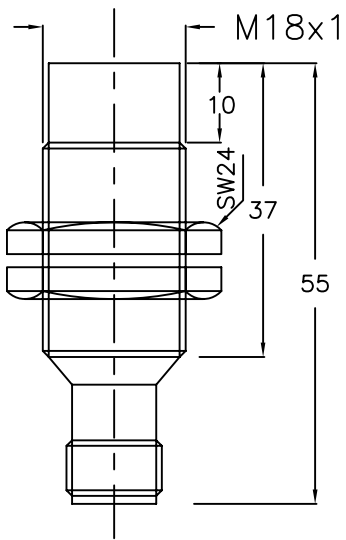
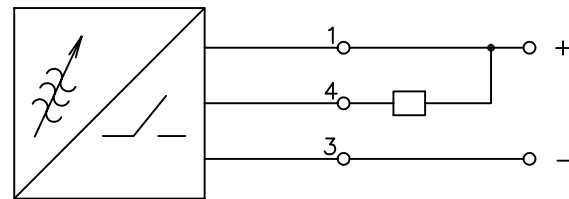
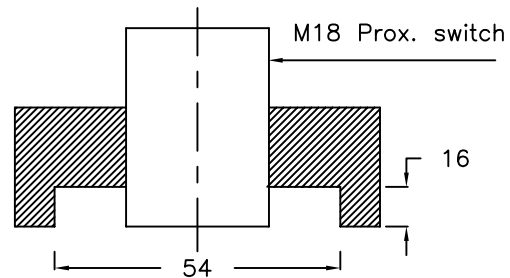


DIMENSIONSWIRING DIAGRAMMOUNTING DETAILSSPECIFICATIONS:

Supply Voltage	: 10-30 VDC
Output Logic	: NPN, N/O
Operating Distance	: 8 ± 0.8 mm
Hysteresis	: <10%
Repetition Rate	: 250 Hz
Repeatability	: 0.3 mm
Maximum Load Current	: 200 mA
Current Consumption	: <15 mA
Voltage Drop	: <2.2 V @ max. rated current
Residual Voltage	: <0.8 V
Operating Temperature	: -25°C to +75°C
Mounting	: Non-flush
Standard Target	: 18x18x1 mm Plate
Function Indication	: LED
Protection	: Short Ckt & Polarity reversal
Housing	: Nickel Plated Brass
Connection	: M12 Connector